

1 | 2

3

4

Tous droits strictement reserves. Reproduction ou communication a des tiers interdite sous quelque forme que ce soit sans autorisation ecrite du proprietaire. Propriete de ©BERG ELECTRONICS. Droits de reproduction BERG ELECTRONICS INC.

All rights strictly reserved. Reproduction or issue to third parties in any form whatever is not permitted without written authority from the proprietor. Property of ©BERG ELECTRONICS Copyright BERG ELECTRONICS INC.

USB A CABLE STYLE CONNECTOR
WITHOUT BACK SHELL

USB A CABLE STYLE CONNECTOR
WITH BACK SHELL

NOTE 3
X.XX
2.5
2.0
8 PLC
 $\phi 0.92 \pm 0.08$
 $\phi 0.1$ (M) (A) (S) (B) (S)
A1 A4
B1 B4
5.68
5.33
2.71
7.00
13.14
(4X) $\phi 2.30 \pm 0.08$
 $\phi 0.250$ X Y
 $\phi 0.10$ B (S)
-A-
-B-
-X- NOTE 3
X.XX NOTE 3
-Y- NOTE 3

RECOMMENDED PCB DIMENSIONS

NOTES:

- MATERIAL:
CONTACTS—COPPER ALLOY
SHELL—COPPER ALLOY
HOUSING—UL 94-V-0 RATED THERMOPLASTIC.
- PLATING:
CONTACTS—0.76um MINIMUM GLOD FLASH OVER PALLADIUM
NICKEL IN CONTACT AREA OR 0.76um MIN GOLD FLASH
3.8um MINIMUM TIN—LEAD ON SOLDER TAILS
ALL OVER 1.27um MINIMUM NICKEL.
SHELL, 5um MINIMUM BRIGHT TIN
OVER 2.5um MINIMUM NICKEL.

③ DATUM AND BASIC DIMENSIONS ESTABLISHED BY CUSTOMER.

4. RECOMMENDED PC BOARD THICKNESS OF 1.57mm.

5. P/N SEE PRODUCT NUMBER CODE.
(TO BE CONTINUED)

mat'l. code NOTE 1 & 2				tolerances unless otherwise specified			CUSTOMER COPY		FCJ www.fciconnect.com		
ltr	ecn no	dr	date	linear	.X ±.30		projection	title UNIV. SERIAL BUS DOUBLE DECK RECEPTACLE			
AC	N05-0068	PH	03/09/05		.XX ±.20			mm	product family USB		code
AD	N05-0106	PH	04/13/05		.XXX ±.10				size dwg no		—
AE	N06-0101	HB	04/13/06	angles	0° ±3°		scale 2:1	A4		sheet 1 of 4	
AF	N06-0133	HB	05/17/06	dr	PETER	12/10/97		72309			
AG	N08-0198	R.B	2008/09/10	engr	R Y LIU	12/10/97					
AH	N08-0238	R.B	2008/11/01	chr	R Y LIU	12/10/97					
			11/09/04	appd	JENN TSAO	12/10/97					
sheet index	revision sheet								cage code		

form no. 7530-001-103

1 | 2

3

4

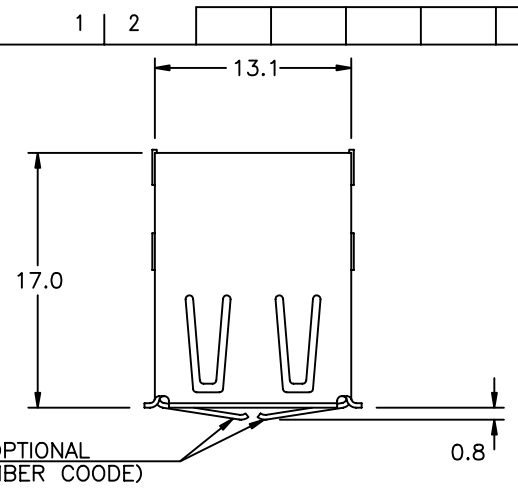
PDM: Rev:AH

STATUS: Released 20526
Printed Nov 07, 2008

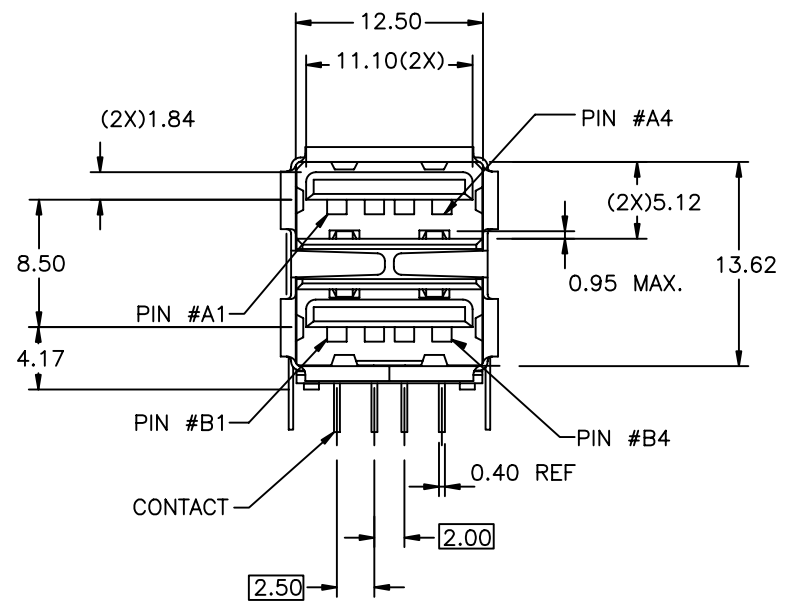
Tous droits strictement réservés. Reproduction ou communication à des tiers interdite sous quelque forme que ce soit sans autorisation écrite du propriétaire. Propriété de ©BERG ELECTRONICS. Droits de reproduction BERG ELECTRONICS INC.



All rights strictly reserved. Reproduction or issue to third parties in any form whatever is not permitted without written authority from the proprietor. Property of ©BERG ELECTRONICS Copyright BERG ELECTRONICS INC.

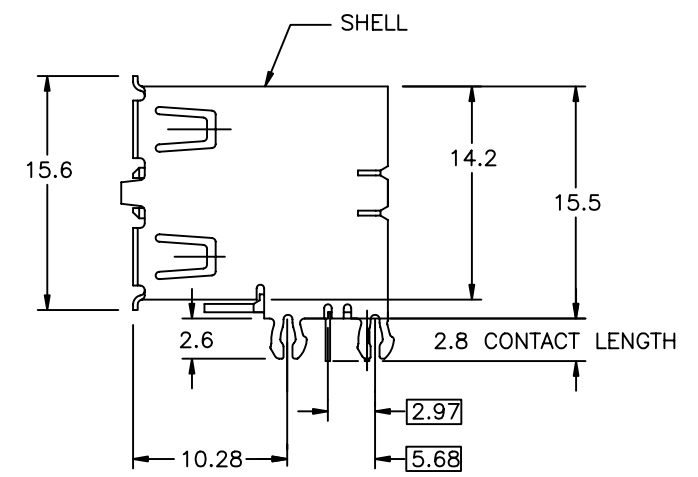


CONTACT ARMS OPTIONAL
(SEE PRODUCT NUMBER CODE)



ASSEMBLY WITHOUT BACK SHIELD
72309-XX3XX SHOWN

- (CONTINUED)
- FOR LEAD FREE P/N, A LEAD FREE LABEL WILL APPEAR AT PACKING.
 - FOR LEAD FREE P/N, THE HOUSING WILL WITHSTAND EXPOSURE TO 260°C PEAK TEMPERATURE FOR 40 SECONDS IN A CONVECTION, INFRA-RED OR VAPOR PHASE REFLOW OVEN.
 - FOR LEAD FREE P/N, THE PRODUCT MEET EUROPEAN UNION DIRECTIVES AND OTHER COUNTRY REGULATION AS DESCRIBED IN GS-22-008



mat'l. code				tolerances unless otherwise specified			CUSTOMER COPY		FCI		
ltr	ecn no	dr	date	linear	.X ±.30		projection	www.fciconnect.com			
AH					.XX ±.20			title	UNIV. SERIAL BUS		
					.XXX ±.10				mm	DOUBLE DECK RECEPTACLE	
				angles	0° ±3°		scale	product family		code	
				dr	PETER PAM	12/10/97		USB		-	
				engr	R Y LIU	12/10/97		size		sheet	
				chr	R Y LIU	12/10/97		72309		2 of 4	
				appd	JENN TSAO	12/10/97		A4			
sheet index	revision sheet						2 : 1				

1 | 2

3

4

ASSEMBLY WITH BACK SHIELD
72309 - XX4XX SHOWN

mat'l. code				tolerances unless otherwise specified			CUSTOMER COPY		FCJ www.fciconnect.com	
ltr	ecn no	dr	date	linear	.X ±.30		projection	title		
AH					.XX ±.20			UNIV. SERIAL BUS		
					.XXX ±.10			DOUBLE DECK RECEPTACLE		
				angles	0° ±3°		mm	product family		code
				dr	PETER PAM	12/01/97		USB		-
				enr	R Y LIU	12/10/97		size		sheet
				chr	R Y LIU	12/10/97		72309		3 of 4
				appd	JENN TSAO	12/10/97	scale	A4		
sheet index		revision sheet					2 : 1			

form no. 7530-001-103

1 | 2

3

4

PDM: Rev:AH

STATUS: Released 2008 Nov 07, 2008

Tous droits strictement reserves. Reproduction ou communication a des tiers interdite sous quelque forme que ce soit sans autorisation ecrite du proprietaire. Propriete de ©BERG ELECTRONICS. Droits de reproduction BERG ELECTRONICS INC.

All rights strictly reserved. Reproduction or issue to third parties in any form whatever is not permitted without written authority from the proprietor. Property of ©BERG ELECTRONICS Copyright BERG ELECTRONICS INC.

1 | 2

3

4

PRODUCT NUMBER CODE

72309 - X X X X X P S LF

BASE PRODUCT NUMBER
 HOUSING COLOR + SHELL PLATING OPTIONS
 0 - WHITE + NICKEL & TIN LEAD PLATING
 1 - BLACK + NICKEL & TIN LEAD PLATING
 2 - WHITE + NICKEL PLATING ONLY
 3 - BLACK + NICKEL PLATING ONLY
 4 - WHITE + NICKEL PLATING ONLY + LCP HSG
 5 - BLACK + NICKEL PLATING ONLY + LCP HSG
 6 - BLACK + NICKEL & TIN LEAD PLATING + LCP HSG
 7 - BLACK + NICKEL & BRIGHT TIN PLATING
 8 - WHITE + NICKEL & BRIGHT TIN PLATING
 9 - BLACK + NICKEL & BRIGHT TIN PLATING +LCP HSG
 A - BLACK + NICKEL & MATTE TIN PLATING +LCP HSG
 S - BLACK + NICKEL PLATING ONLY + LCP HSG

SHELL PLATING OPTION
 0 - BARREL-PLATING
 1 - PRE-PLATING

SHELL OPTIONS
 1 - NO BACK SHIELD, NO ARMS, FRONT GROUNDING ARMS
 2 - BACK SHIELD, NO FRONT GROUNDING ARMS
 3 - NO BACK SHIELD, FRONT GROUNDING ARMS
 4 - BACK SHIELD, FRONT GROUNDING ARMS

TERMINAL OPTION
 0 - 50u" Ni UNDERPLATE,30u" GXT CONTACT AREA,100u" TIN/LEAD TAIL AREA
 2.80mm TAIL LENGTH
 2 - 50u" Ni UNDERPLATE,30u" GOLD CONTACT AREA,100u" TIN/LEAD TAIL AREA
 2.80mm TAIL LENGTH
 3 - 50u" Ni UNDERPLATE,30u" GOLD CONTACT AREA,100u" MATTE TIN TAIL AREA
 2.80mm TAIL LENGTH
 4 - 50u" Ni UNDERPLATE,30u" GXT CONTACT AREA,100u" MATTE TIN TAIL AREA
 2.80mm TAIL LENGTH
 5 - 50u" Ni UNDERPLATE,30u" GOLD CONTACT AREA,100u" MATTE TIN TAIL AREA
 3.94mm TAIL LENGTH

PACKAGING OPTIONS
 B - TUBES
 R - TAPE & REEL

WITH DATE CODE

ONLY FOR PANASONIC

LEAD FREE MARK

LEAD FREE CONVERSION RULES -
 HOUSING COLOR AND SHELL PLATING OPTION: 0 TO 8, 1 TO 7, 6 TO 9
 TERMINAL PLATING OPTION: 0 TO 4, 2 TO 3
 SPECIFIC SHELL MATERIAL FOR 12K CYCLES DURABILITY,
 PART NUMBER: 72309-S033XPLF/-S034XPLF

NOTE:


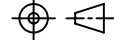
AVAILABLE P/N'S IN FCI NOW FOLLOWED:

72309-0010X/8014XLF	72309-2010X/2014XLF
72309-0012X/8013XLF	72309-2012X/2013XLF
72309-0020X/8024XLF	72309-2020X/2024XLF
72309-0022X/8023XLF	72309-2022X/2023XLF
72309-0030X/8034XLF	72309-2030X/2034XLF
72309-0032X/8033XLF	72309-2032X/2033XLF
72309-0040X/8044XLF	72309-2040X/2044XLF
72309-0042X/8043XLF	72309-2042X/2043XLF
72309-1010X/7014XLF	72309-3010X/3014XLF
72309-1012X/7013XLF	72309-3012X/3013XLF
72309-1020X/7024XLF	72309-3020X/3024XLF
72309-1022X/7023XLF	72309-3022X/3023XLF
72309-1030X/7034XLF	72309-3030X/3034XLF
72309-1032X/7033XLF	72309-3032X/3033XLF
72309-1040X/7044XLF	72309-3040X/3044XLF
72309-1042X/7043XLF	72309-3042X/3043XLF
72309-0110X/8114XLF	72309-4040X/4044XLF
72309-0112X/8113XLF	72309-5012X/5013XLF
72309-0120X/8124XLF	72309-5030X/5034XLF
72309-0122X/8123XLF	72309-5040X/5044XLF/5044XSLF
72309-0130X/8134XLF	72309-5140X/5144XLF
72309-0132X/8133XLF	72309-6220X/9224XLF
72309-0140X/8144XLF	72309-A034XLF
72309-0142X/8143XLF	72309-3015XPLF
72309-1110X/7114XLF	72309-3045XPLF
72309-1112X/7113XLF	72309-S033XPLF
72309-1120X/7124XLF	72309-S034XPLF
72309-1122X/7123XLF	
72309-1130X/7134XLF	
72309-1132X/7133XLF	
72309-1140X/7144XLF	
72309-1142X/7143XLF	

Tous droits strictement reserves. Reproduction ou communication a des tiers interdite sous quelque forme que ce soit sans autorisation ecrite du proprietaire. Propriete de ©BERG ELECTRONICS. Droits de reproduction BERG ELECTRONICS INC.



All rights strictly reserved. Reproduction or issue to third parties in any form whatever is not permitted without written authority from the proprietor. Property of ©BERG ELECTRONICS Copyright BERG ELECTRONICS INC.

mat'l. code		NOTE 1 & 2		tolerances unless otherwise specified		CUSTOMER COPY		 www.fciconnect.com	
ltr	ecn no	dr	date	linear			projection	title	
AH								UNIV. SERIAL BUS	
				angles			 mm	DOUBLE DECK RECEPTACLE	
				dr	FUSSELMAN	5/10/96		product family	
				enrg	J. DAVID	5/10/96	USB		
				chr	J.DAVID	6/29/96	code		
				appd	J.DAVID	6/29/96	-		
sheet		revision				scale		size	
index		sheet				2:1		A4	
								72309	
								sheet	
								4 of 4	

form no. 7530-001-103

1 | 2

PDM: Rev:AH

3

STATUS: Released **20526** cage code **20526** Printed Nov 07, 2008

4